



*Supports external probe (optional)

UbiBot WS1 (2.4GHz Wifi) Temperature Humidity Light Data Logger IoT System

SKU: UBIWS1PROSIM
Manufacture Warranty period: 12 months
Country of Origin: China

Introduction

The UbiBot WS1 is an advanced all-in-one IoT sensor built with industrial-grade components. The WS1 measures temperature, humidity, ambient light.

The WS1 allows you to wirelessly monitor your environment in real-time and gives you remote access to your data wherever you are in the world. All the data is automatically synchronised to our big data platform via WiFi. The device can store over 300,000 records in its internal memory, which can protect your data against network failure. Even if the network fails, the UbiBot WS1 still stores readings, thus ensuring there are no gaps in the data history.

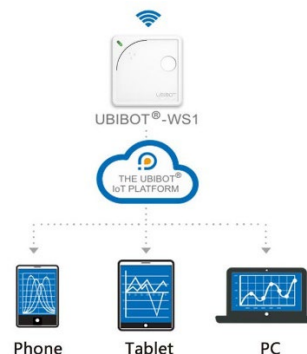
The data sync interval can be set by you. This allows you to balance battery life against the frequency of data capture. With the default data sync interval of 15 minutes, the device has a battery life of up to 4- 6 months using 2 AA alkaline batteries. Power-supply using Micro-USB is supported. You can check the battery voltage of the device remotely and set up rules to be notified when low-battery, network failure or sensor reading exceeds the setting range. Available rule alerts include Email, APP, SMS, Phone Call, HTTP API. Free 200MB Cloud Storage enough to store data over 2 years on default settings. Export the data to CSV or PDF without extra charge.

Features

- Extra-low power consumption
- Free App & email alerts
- Large on-device data storage
- Long term history tracking
- Cloud-based IoT platform
- Quick setup within 3 minutes
- Visualisation via our App or web
- Portable and compact
- CE, RoHS, FCC certificate

Applications

- Online real-time detecting temperature, humidity, light level & vibration index
- Greenhouse
- Museum
- Wine Cellar
- Pharmacy
- Horticulture
- Animal Breeding Warehouse
- Server Room



Specifications

Temperature	
Range:	-20°C to 60°C (-4°F to 140°F)
Accuracy:	±0.3°C (0°C to 60°C)
Humidity	
Range:	10% to 90%
Accuracy:	±3%RH @ 25°C
Ambient Light level	
Range:	0 to 83,000 Lux
Accuracy:	±2%

Memory	300,000 sensor records
Wifi Specifications	2.4GHz, channels 1-13 (5GHz WiFi NOT supported)
External Probe	Supports DS18B20 Temperature Probe (Optional)
Type of SIM Card	Micro 4G SIM card
Screen Size	10.4 x 5cm (4.4")
External Probe	Supports DS18B20 probe (optional extra)
Colour	White
Material	Flame resistant ABS+PC
Power Source	2 x AA Batteries Micro USB (5V2A)
Dimensions	6.5 x 6.5 x 1.7 cm
Weight	31.8g ± 3g

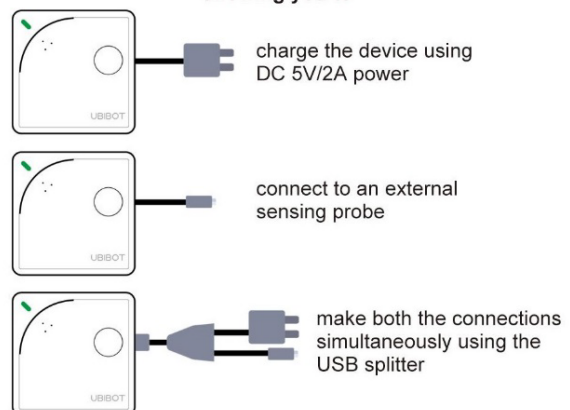
Package includes

1 x WS1
1 x User Manual
1 x Micro USB Cable (1m)
2 x pieces of double side adhesive tape

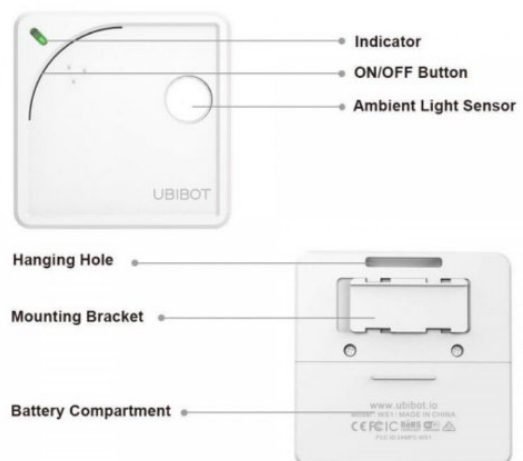


Receive an alert instantly when thresholds you set are exceeded, or if any device goes offline

The device comes with one Micro USB port, allowing you to



*The splitter and external probe are optional.



The cloud-based IoT platform

UbiBot[®] offers a revolutionary way to monitor environmental conditions where they matter. The sensors synchronize data to UbiBot[®] IoT Platform using WiFi, Cellular or Ethernet connection (depending on the specific model purchased). Users can then access data from anywhere via a smartphone or the Web console.

Features:

- **Data Management:** Manage all your IoT data in one place; you could add as many devices as you want to one UbiBot account.
- **Unlimited Storage:** Unlimited cloud-based storage ensures you will never run out of space. This allows you to view all your historical data via UbiBot App or Web.
- **Free App & Web Console:** Using UbiBot App and Web Console is free. Powerful and thoughtful features provide you brilliant experience.
- **Analysis and Visualization:** Use powerful analysis and visualization tools to get the most out of your data; spot trends and direct comparisons.
- **Real-Time Alerts:** Fully customizable alert system will notify you via App notifications, emails, phone call/SMS, HTTP whenever any metric goes out of the range preset.
- **Highly Secure Platform:** UbiBot IoT platform is designed to keep all your data secure so you never have to worry about hackers or other security issues.
- **Working with IFTTT, Alexa, Google Assistant, Google Sheet**
- Compliant with FDA CFR21

Details:

Real-time and history data

The UbiBot Platform is a cloud-based IoT platform where all measured data is uploaded and stored. UbiBot App and Web Console allow you to view current data as well as historical data in graphs.

Customizable alerts and bulk operation

Setting and receiving alerts on your devices helps you to get notified of the conditions timely. When you have many devices to manage, it's time-consuming to set each alert rule one by one. Therefore, we've developed a bulk operation module with which you can set the same rule for many devices at a time.

Data export

On UbiBot Platform, you can download the history data in CSV or PDF format. The CSV file only contains raw data, while the PDF file is a summarized report with average, maximum and minimum value within the chosen period. The PDF file is much easier to read and archive.

Device sharing and bulk operation

For business users, centralized control over multiple devices is available, with no limit on the number of devices in one account. Also available are bulk operations that apply to sensor settings, alerts, and remote control routines. Devices can be shared with other people, which allows for distributed management by different colleagues.

Intelligent automation in UbiBot platform

UbiBot is committed to building intelligent industrial and home ecosystems. By integrating temperature and humidity sensors and the smart plug SP1 in one system, automated operation is achieved through data linkage. For example, fans can be switched on when the temperature rises to 30 °C.

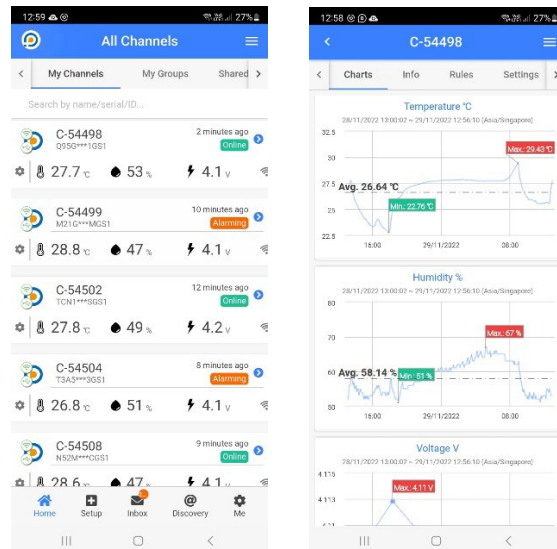
Data forwarding

UbiBot is an open platform that provides cloud-based services while supporting customers to use their own storage servers. With the data forwarding service, you can forward the data collected by your device to your own private URL to protect privacy.

Platform-based calibration

UbiBot platform supports data calibration both on the platform level as well as the device level. One-step calibration, instant display, no impact on historical data.

View Data from Mobile APP Dashboard





Download Data in Excel or PDF Format

created_at	field1 (Temperature °C)	field2 (Humidity)	field3(Light)	field4(Voltage)
2019-05-27T15:28:08+08:00	25.88121	60	81.639999	5
2019-05-27T15:28:10+08:00	25.894562	60	76.439995	5
2019-05-27T15:28:12+08:00	25.937286	61	76.919998	5
2019-05-27T15:28:14+08:00	25.937286	61	79.5	5
2019-05-27T15:28:15+08:00	25.96666	62	77.799995	5
2019-05-27T15:28:16+08:00	25.96666	62	75.919998	5
2019-05-27T15:28:18+08:00	26.006714	62	76.860001	5
2019-05-27T15:28:19+08:00	26.022736	62	77.720001	5
2019-05-27T15:28:25+08:00	26.121536	63	78.540001	5
2019-05-27T15:28:47+08:00	26.404594	60	97.439995	5
2019-05-27T15:28:51+08:00				
2019-05-27T15:29:47+08:00	26.615547	58	78.939995	
2019-05-27T15:30:47+08:00	26.658272	58	86.559998	
2019-05-27T15:31:47+08:00	26.700996	57	96.839996	
2019-05-27T15:32:47+08:00	26.700996	57	84.479996	
2019-05-27T15:33:47+08:00	26.743721	57	83.279999	

Data Report

Channel Name: GMM Showroom Freezer 1
Data Start: 01/05/2023 00:00:00 to 30/05/2023 00:00:00
Report Generated: 31/05/2023 18:57:59

The current data transmission has been truncated, there are 8000 pieces of data in total.
Timezone: Asia/Singapore

Device Information
Channel Name: GMM Showroom Freezer 1
Channel ID: 59273
Serial: DR294W5L1
Product ID: ubibot-w1

Permission: Public
Plan ID: ubibot_free
Storage Used: 16.99 MB
Download Traffic: 583.97 kB

Activated at: 10/02/2023 15:19:55
Last Entry: 31/05/2023 18:54:49
Firmware: v3.0.1
WiFi SSID: GMMTechnoworld

Sensor	Maximum	Minimum	Average
Temperature(°C)	32.82	22.52	28.65
Humidity(%)	68.00	45.00	57.81
Light(lux)	366.24	0.08	101.81
Voltage(V)	5.00	5.00	5.00

Data Report-GMM Showroom Freezer 1[CHANNEL ID:59273] File Created: 31/05/2023 18:59:12

Sensor	Maximum	Minimum	Average
WiFi RSSI(dBm)	-23.00	-43.00	-28.11
External Temperature Probe(°C)	7.81	-25.31	-19.02

Temperature (°C)

Data Report-GMM Showroom Freezer 1[CHANNEL ID:59273] File Created: 31/05/2023 18:59:12

GMM Showroom Freezer 1[Channel ID: 59273] Temperature(°C)

Entry	Created At	Temperature	Entry	Created At	Temperature
1	01/05/2023 00:01:56	30.48	44	01/05/2023 03:38:59	30.58
2	01/05/2023 00:08:55	30.59	45	01/05/2023 03:43:59	30.52
3	01/05/2023 00:13:55	30.56	46	01/05/2023 03:48:59	30.50
4	01/05/2023 00:18:56	30.53	47	01/05/2023 03:53:59	30.55
5	01/05/2023 00:23:56	30.59	48	01/05/2023 03:58:59	30.53
6	01/05/2023 00:28:56	30.50	49	01/05/2023 04:03:59	30.53
7	01/05/2023 00:33:56	30.46	50	01/05/2023 04:08:59	30.69
8	01/05/2023 00:38:56	30.55	51	01/05/2023 04:13:59	30.65
9	01/05/2023 00:43:56	30.50	52	01/05/2023 04:18:59	30.66
10	01/05/2023 00:48:56	30.50	53	01/05/2023 04:23:59	30.73
11	01/05/2023 00:53:56	30.62	54	01/05/2023 04:28:59	30.73
12	01/05/2023 00:58:56	30.59	55	01/05/2023 04:33:59	30.71
13	01/05/2023 01:03:56	30.53	56	01/05/2023 04:38:59	30.60
14	01/05/2023 01:08:56	30.59	57	01/05/2023 04:43:59	30.73
15	01/05/2023 01:13:56	30.45	58	01/05/2023 04:48:59	30.74
16	01/05/2023 01:18:56	30.45	59	01/05/2023 04:53:59	30.84
17	01/05/2023 01:23:57	30.57	60	01/05/2023 04:58:59	30.76
18	01/05/2023 01:28:57	30.50	61	01/05/2023 05:03:59	30.74
19	01/05/2023 01:33:57	30.49	62	01/05/2023 05:08:59	30.81
20	01/05/2023 01:38:57	30.59	63	01/05/2023 05:13:59	30.77
21	01/05/2023 01:43:57	30.49	64	01/05/2023 05:18:59	30.79
22	01/05/2023 01:48:57	30.46	65	01/05/2023 05:23:59	30.89
23	01/05/2023 01:53:57	30.53	66	01/05/2023 05:28:59	30.74
24	01/05/2023 01:58:57	30.48	67	01/05/2023 05:33:59	30.76
25	01/05/2023 02:03:57	30.43	68	01/05/2023 05:38:59	30.77
26	01/05/2023 02:08:57	30.56	69	01/05/2023 05:44:00	30.73
27	01/05/2023 02:13:57	30.53	70	01/05/2023 05:49:00	30.70
28	01/05/2023 02:18:57	30.59	71	01/05/2023 05:54:00	30.86
29	01/05/2023 02:23:58	30.56	72	01/05/2023 05:59:00	30.73
30	01/05/2023 02:28:58	30.50	73	01/05/2023 06:04:00	30.65
31	01/05/2023 02:33:58	30.45	74	01/05/2023 06:09:00	30.73
32	01/05/2023 02:38:58	30.55	75	01/05/2023 06:14:00	30.67
33	01/05/2023 02:43:58	30.50	76	01/05/2023 06:19:00	30.67
34	01/05/2023 02:48:58	30.52	77	01/05/2023 06:24:00	30.77
35	01/05/2023 02:53:58	30.63	78	01/05/2023 06:29:00	30.73
36	01/05/2023 02:58:58	30.55	79	01/05/2023 06:34:00	30.67
37	01/05/2023 03:03:58	30.47	80	01/05/2023 06:39:00	30.74
38	01/05/2023 03:08:58	30.55	81	01/05/2023 06:44:00	30.65
39	01/05/2023 03:13:58	30.49	82	01/05/2023 06:49:00	30.65
40	01/05/2023 03:18:58	30.50	83	01/05/2023 06:54:00	30.63
41	01/05/2023 03:23:59	30.60	84	01/05/2023 06:59:00	30.73
42	01/05/2023 03:28:59	30.56	85	01/05/2023 07:04:00	30.70
43	01/05/2023 03:33:59	30.50	86	01/05/2023 07:09:00	30.77